

PRODUCT SPECIFICATION

SPEC. NO.

T-0648-105



1. Scope

This specification applies Ferrite Power Inductors PIE8040L-Series-TY to be delivered to user.

2. Product Identification

PIE 8040L - 4R7 □ - TY

(1) (2) (3) (4) (5)

(1) Product name

(2) Shapes and dimensions

(3) Inductance

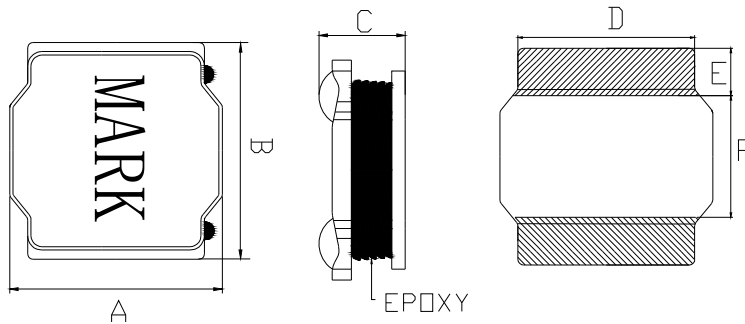
4R7 : 4.7 uH

(4) Tolerance


M=±20%、N=±30%

(5) Taping Type

3. Shapes and Dimensions



A:8.0±0.3 mm
 B:8.0±0.3 mm
 C:4.2 Max. mm
 D:6.3 Ref. mm
 E:2.45Ref. mm
 F:3.1 Ref. mm

Drawn by	Checked by	Approved by
 Jul. 17, 2022	Zheng Jul. 13, 2022	Dragon 2022.7.14

PRODUCT SPECIFICATION

SPEC. NO.

T-0648-105



4. Electrical Characteristics

4-1 Electrical Spec.

Customer Part Number	Our Product Part Number	Inductance (uH)	Tolerance (±%)	RDC(mΩ)		Isat(A)	Irms(A)	Marking
				Max.	Typ.	Typ.	Typ.	
	PIE8040L-1R0□-TY	1.0	N	9	6	12.00	8.50	1R0
	PIE8040L-1R5□-TY	1.5	N	12	8	9.50	7.50	1R5
	PIE8040L-2R2□-TY	2.2	M	14	10	9.00	7.00	2R2
	PIE8040L-3R3□-TY	3.3	M	20	15	8.00	6.00	3R3
	PIE8040L-4R7□-TY	4.7	M	22	18	6.20	5.00	4R7
	PIE8040L-6R8□-TY	6.8	M	30	25	5.00	4.50	6R8
	PIE8040L-100□-TY	10	M	50	40	4.50	3.50	100
	PIE8040L-150□-TY	15	M	60	50	3.20	3.00	150
	PIE8040L-220□-TY	22	M	84	70	2.80	2.60	220
	PIE8040L-330□-TY	33	M	135	110	2.20	2.00	330
	PIE8040L-470□-TY	47	M	180	140	2.00	1.90	470
	PIE8040L-680□-TY	68	M	254	210	1.60	1.50	680
	PIE8040L-101□-TY	100	M	360	300	1.25	1.20	101
	PIE8040L-221□-TY	220	M	780	680	0.90	0.80	221
	PIE8040L-331□-TY	330	M	1150	1000	0.70	0.65	331
	PIE8040L-471□-TY	470	M	1900	1500	0.65	0.60	471
	PIE8040L-681□-TY	680	M	2650	2200	0.55	0.50	681
	PIE8040L-102□-TY	1000	M	3600	2850	0.40	0.35	102

1. When ordering, please specify tolerance and packaging codes. Ex: PIE8040L-4R7M-TY

Tolerance : M=±20%、N=±30%

2. Test Frequency: 100KHz/0.25V

3. Rated Current Ind. drops of 30% typ. at Isat

4. Temperature Rise: 40°C typ. at Irms